

SG4:15 HANDRAILS OMITTED FOR CLARITY

LOAD CLASS 3

1no WORKING LEVEL @ 2.00kN/m²
1no SECONDARY LEVEL @ 1.00kN/m²

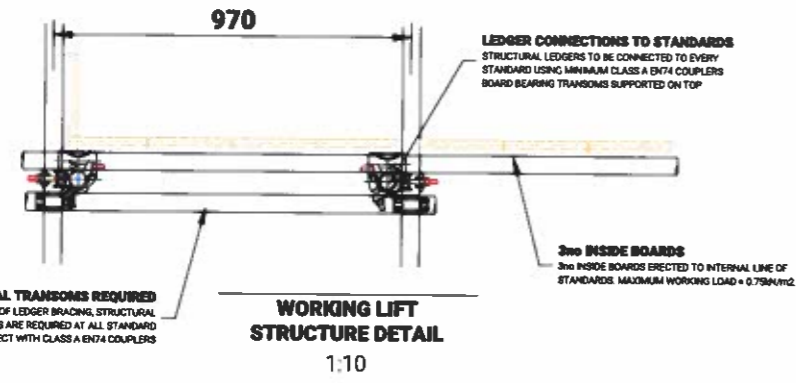
SCAFFOLD TO BE FULLY ENCLOSED IN MONARFLEX TYPE SHEETING

DESIGN BASED RESIDUAL HAZARD

Design based hazards are actively eliminated where possible. Where hazards cannot be eliminated, this symbol will denote the hazard reference.

Client to review the Design Risk Assessment and confirm acceptance of these hazards prior to erection of scaffold.

H1	H2	H3	H4
H5	H6	H7	H8
M1	M2	M3	M4
M5	M6	M7	M8
L1	L2	L3	L4

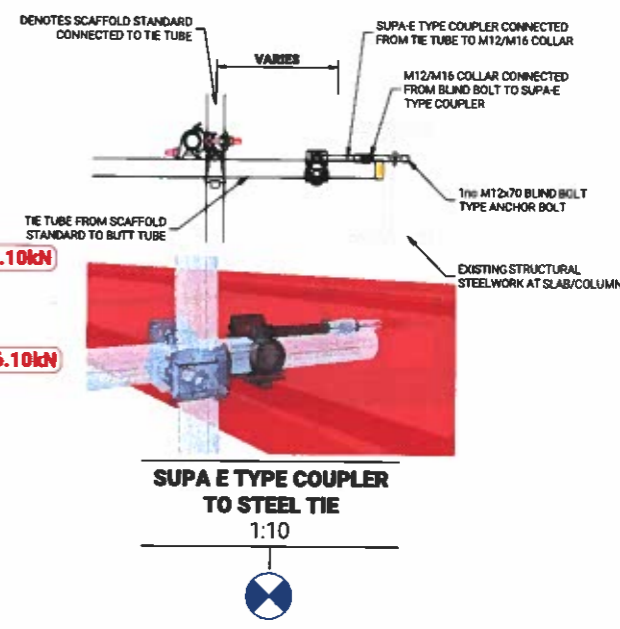


FORKLIFT LOADED PROGRESSIVE
ALL STANDARDS BASED OFF OF STANDARD STEEL 150 x 150mm BASE PLATES, WITH MINIMUM SIZE 450mm X 225mm SINGLE SOLE PAD BENEATH.

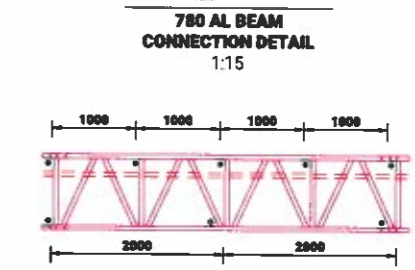
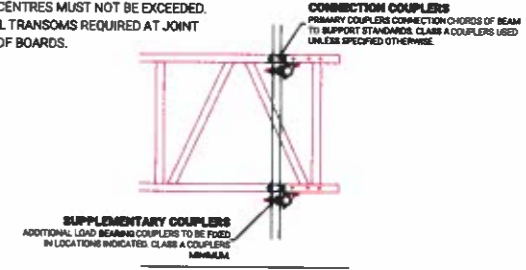
CLEAR ACCESS PROVIDED
SCAFFOLD IS TO BE BRIDGED IN THIS AREA TO PROVIDE CLEAR ACCESS BELOW FOR FORKLIFT AND MATERIALS. CLIENT TO ENSURE CLEARANCE IS SUFFICIENT.

SINGLE BOARDS
SINGLE BOARDED DECK TO BE ERECTED AT WORKING LEVELS FOR ACCESS AND WORKS.

3no INSIDE BOARDS
3no INSIDE BOARDS ERECTED TO INTERNAL LINE OF STANDARDS. MAXIMUM WORKING LOAD = 0.75kN/m².



TRANSOMS @ 1.20m c/c
TRANSOM CENTRES MUST NOT BE EXCEEDED. ADDITIONAL TRANSOMS REQUIRED AT JOINT LOCATION OF BOARDS.



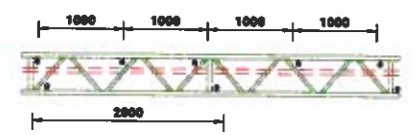
780 AL BEAM LACING DETAIL 1:50

C01	28/06/19	Working status	AA	RB
P03	17/06/19	Revised to comments	AA	RB
P02	07/06/19	Revised to comments	AA	RB
P01	21/05/19	First issue to client	AA	RB
Revised	Date	Changes	Drawn by	Checked by

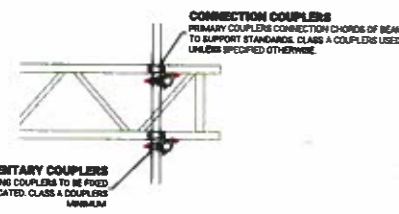
WORKING DRAWING
FOR CONSTRUCTION PURPOSES

FULHAM BOYS SCHOOL
PERIMETER TUBE & FITTING ACCESS
SCAFFOLD - PLAN @ LEVEL 00

BCM SCAFFOLDING



450 AL BEAM LACING DETAIL 1:50

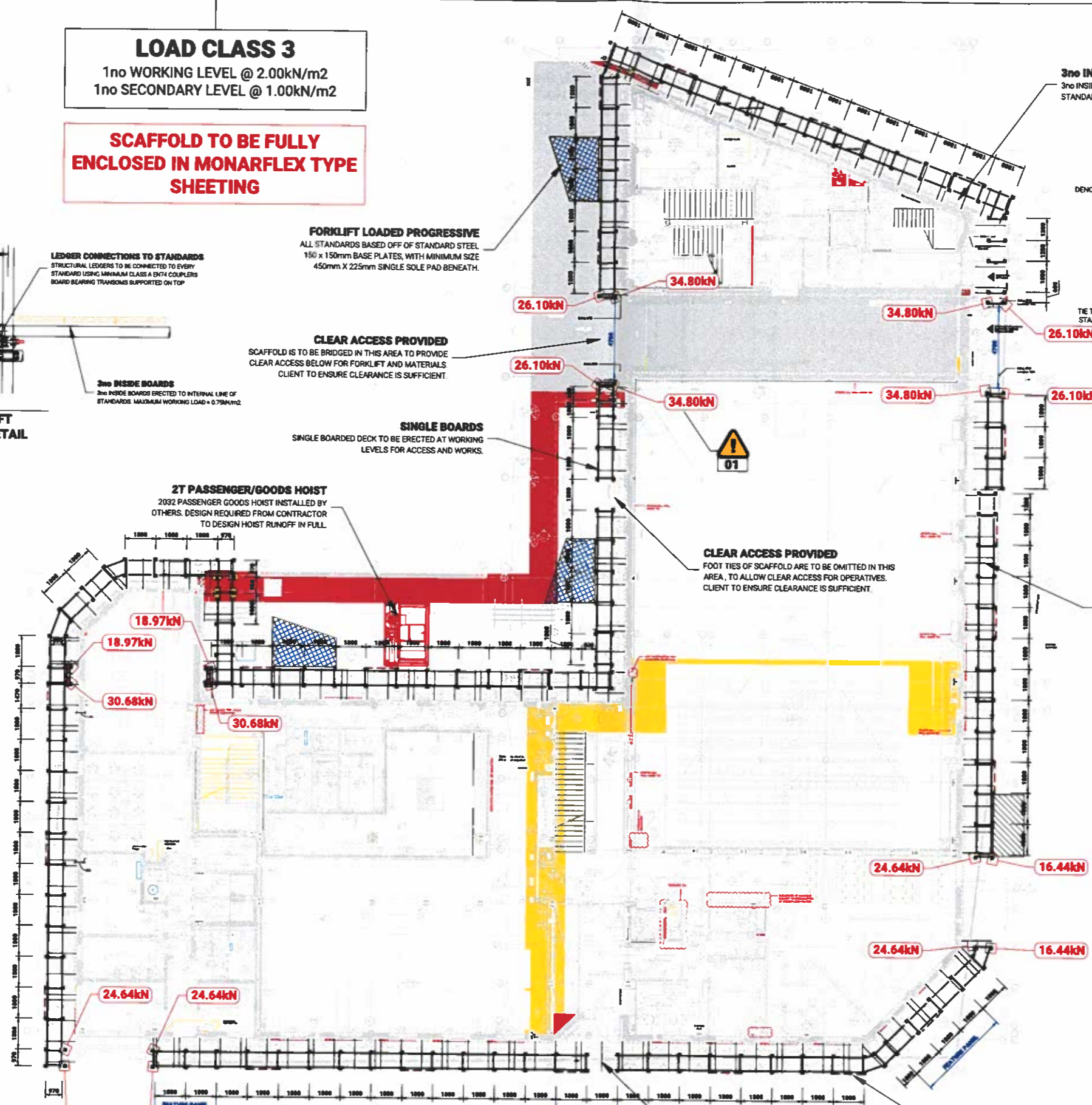


450 AL BEAM CONNECTION DETAIL 1:20

LEG LOADS TO GROUND
CLIENT TO CONFIRM EXISTING GROUND CONDITIONS ARE CAPABLE OF WITHSTANDING THE IMPOSED LOADS NOTED.

TG20 LOADING BAY - FORKLIFT LOADED
GREEN HATCH ARE DENOTES LOCATION OF TG20:13 COMPLIANT PROGRESSIVE LOADING BAY FOR FORKLIFT LOADING.

TG20 LOADING BAY - CRANE LOADED
GREEN HATCH ARE DENOTES LOCATION OF TG20:13 COMPLIANT PROGRESSIVE LOADING BAY FOR CRANE LOADING.



CLEAR ACCESS PROVIDED
FOOT TIES OF SCAFFOLD ARE TO BE OMITTED IN THIS AREA, TO ALLOW CLEAR ACCESS FOR OPERATIVES. CLIENT TO ENSURE CLEARANCE IS SUFFICIENT.

FACADE BRACING
SWAY BRACE FIXED TO BAYS INDICATED USING CUPLOK BRACE TO CUPS OR TUBE BRACE WITH LOAD BEARING COUPLERS.

ORIGINAL NOTES

1. This drawing has been prepared in accordance with the following:

2. BS 1139:2005 - Scaffolding - Code of practice for erection, use and dismantling.

3. BS 5971:2012 - Scaffolding - Safety.

4. BS 5972:2012 - Scaffolding - Safety.

5. BS 5973:2012 - Scaffolding - Safety.

6. BS 5974:2012 - Scaffolding - Safety.

7. BS 5975:2012 - Scaffolding - Safety.

8. BS 5976:2012 - Scaffolding - Safety.

9. BS 5977:2012 - Scaffolding - Safety.

10. BS 5978:2012 - Scaffolding - Safety.

11. BS 5979:2012 - Scaffolding - Safety.

12. BS 5980:2012 - Scaffolding - Safety.

13. BS 5981:2012 - Scaffolding - Safety.

14. BS 5982:2012 - Scaffolding - Safety.

15. BS 5983:2012 - Scaffolding - Safety.

16. BS 5984:2012 - Scaffolding - Safety.

17. BS 5985:2012 - Scaffolding - Safety.

18. BS 5986:2012 - Scaffolding - Safety.

19. BS 5987:2012 - Scaffolding - Safety.

20. BS 5988:2012 - Scaffolding - Safety.

21. BS 5989:2012 - Scaffolding - Safety.

22. BS 5990:2012 - Scaffolding - Safety.

23. BS 5991:2012 - Scaffolding - Safety.

24. BS 5992:2012 - Scaffolding - Safety.

25. BS 5993:2012 - Scaffolding - Safety.

26. BS 5994:2012 - Scaffolding - Safety.

27. BS 5995:2012 - Scaffolding - Safety.

28. BS 5996:2012 - Scaffolding - Safety.

29. BS 5997:2012 - Scaffolding - Safety.

30. BS 5998:2012 - Scaffolding - Safety.

31. BS 5999:2012 - Scaffolding - Safety.

32. BS 6000:2012 - Scaffolding - Safety.

33. BS 6001:2012 - Scaffolding - Safety.

34. BS 6002:2012 - Scaffolding - Safety.

35. BS 6003:2012 - Scaffolding - Safety.

36. BS 6004:2012 - Scaffolding - Safety.

37. BS 6005:2012 - Scaffolding - Safety.

38. BS 6006:2012 - Scaffolding - Safety.

39. BS 6007:2012 - Scaffolding - Safety.

40. BS 6008:2012 - Scaffolding - Safety.

41. BS 6009:2012 - Scaffolding - Safety.

42. BS 6010:2012 - Scaffolding - Safety.

43. BS 6011:2012 - Scaffolding - Safety.

44. BS 6012:2012 - Scaffolding - Safety.

45. BS 6013:2012 - Scaffolding - Safety.

46. BS 6014:2012 - Scaffolding - Safety.

47. BS 6015:2012 - Scaffolding - Safety.

48. BS 6016:2012 - Scaffolding - Safety.

49. BS 6017:2012 - Scaffolding - Safety.

50. BS 6018:2012 - Scaffolding - Safety.

51. BS 6019:2012 - Scaffolding - Safety.

52. BS 6020:2012 - Scaffolding - Safety.

53. BS 6021:2012 - Scaffolding - Safety.

54. BS 6022:2012 - Scaffolding - Safety.

55. BS 6023:2012 - Scaffolding - Safety.

56. BS 6024:2012 - Scaffolding - Safety.

57. BS 6025:2012 - Scaffolding - Safety.

58. BS 6026:2012 - Scaffolding - Safety.

59. BS 6027:2012 - Scaffolding - Safety.

60. BS 6028:2012 - Scaffolding - Safety.

61. BS 6029:2012 - Scaffolding - Safety.

62. BS 6030:2012 - Scaffolding - Safety.

63. BS 6031:2012 - Scaffolding - Safety.

64. BS 6032:2012 - Scaffolding - Safety.

65. BS 6033:2012 - Scaffolding - Safety.

66. BS 6034:2012 - Scaffolding - Safety.

67. BS 6035:2012 - Scaffolding - Safety.

68. BS 6036:2012 - Scaffolding - Safety.

69. BS 6037:2012 - Scaffolding - Safety.

70. BS 6038:2012 - Scaffolding - Safety.

71. BS 6039:2012 - Scaffolding - Safety.

72. BS 6040:2012 - Scaffolding - Safety.

73. BS 6041:2012 - Scaffolding - Safety.

74. BS 6042:2012 - Scaffolding - Safety.

75. BS 6043:2012 - Scaffolding - Safety.

76. BS 6044:2012 - Scaffolding - Safety.

77. BS 6045:2012 - Scaffolding - Safety.

78. BS 6046:2012 - Scaffolding - Safety.

79. BS 6047:2012 - Scaffolding - Safety.

80. BS 6048:2012 - Scaffolding - Safety.

81. BS 6049:2012 - Scaffolding - Safety.

82. BS 6050:2012 - Scaffolding - Safety.

83. BS 6051:2012 - Scaffolding - Safety.

84. BS 6052:2012 - Scaffolding - Safety.

85. BS 6053:2012 - Scaffolding - Safety.

86. BS 6054:2012 - Scaffolding - Safety.

87. BS 6055:2012 - Scaffolding - Safety.

88. BS 6056:2012 - Scaffolding - Safety.

89. BS 6057:2012 - Scaffolding - Safety.

90. BS 6058:2012 - Scaffolding - Safety.

91. BS 6059:2012 - Scaffolding - Safety.

92. BS 6060:2012 - Scaffolding - Safety.

93. BS 6061:2012 - Scaffolding - Safety.

94. BS 6062:2012 - Scaffolding - Safety.

95. BS 6063:2012 - Scaffolding - Safety.

96. BS 6064:2012 - Scaffolding - Safety.

97. BS 6065:2012 - Scaffolding - Safety.

98. BS 6066:2012 - Scaffolding - Safety.

99. BS 6067:2012 - Scaffolding - Safety.

100. BS 6068:2012 - Scaffolding - Safety.

101. BS 6069:2012 - Scaffolding - Safety.

102. BS 6070:2012 - Scaffolding - Safety.

103. BS 6071:2012 - Scaffolding - Safety.

104. BS 6072:2012 - Scaffolding - Safety.

105. BS 6073:2012 - Scaffolding - Safety.

106. BS 6074:2012 - Scaffolding - Safety.

107. BS 6075:2012 - Scaffolding - Safety.

108. BS 6076:2012 - Scaffolding - Safety.

109. BS 6077:2012 - Scaffolding - Safety.

110. BS 6078:2012 - Scaffolding - Safety.

111. BS 6079:2012 - Scaffolding - Safety.

112. BS 6080:2012 - Scaffolding - Safety.

113. BS 6081:2012 - Scaffolding - Safety.

114. BS 6082:2012 - Scaffolding - Safety.

115. BS 6083:2012 - Scaffolding - Safety.

116. BS 6084:2012 - Scaffolding - Safety.

117. BS 6085:2012 - Scaffolding - Safety.

118. BS 6086:2012 - Scaffolding - Safety.

119. BS 6087:2012 - Scaffolding - Safety.

120. BS 6088:2012 - Scaffolding - Safety.

121. BS 6089:2012 - Scaffolding - Safety.

122. BS 6090:2012 - Scaffolding - Safety.

123. BS 6091:2012 - Scaffolding - Safety.

124. BS 6092:2012 - Scaffolding - Safety.

125. BS 6093:2012 - Scaffolding - Safety.

126. BS 6094:2012 - Scaffolding - Safety.

127. BS 6095:2012 - Scaffolding - Safety.

128. BS 6096:2012 - Scaffolding - Safety.

129. BS 6097:2012 - Scaffolding - Safety.

130. BS 6098:2012 - Scaffolding - Safety.

131. BS 6099:2012 - Scaffolding - Safety.

132. BS 6100:2012 - Scaffolding - Safety.

133. BS 6101:2012 - Scaffolding - Safety.

134. BS 6102:2012 - Scaffolding - Safety.

135. BS 6103:2012 - Scaffolding - Safety.

136. BS 6104:2012 - Scaffolding - Safety.

137. BS 6105:2012 - Scaffolding - Safety.

138. BS 6106:2012 - Scaffolding - Safety.

139. BS 6107:2012 - Scaffolding - Safety.

140. BS 6108:2012 - Scaffolding - Safety.

141. BS 6109:2012 - Scaffolding - Safety.

142. BS 6110:2012 - Scaffolding - Safety.

143. BS 6111:2012 - Scaffolding - Safety.

144. BS 6112:2012 - Scaffolding - Safety.

145. BS 6113:2012 - Scaffolding - Safety.

146. BS 6114:2012 - Scaffolding - Safety.

147. BS 6115:2012 - Scaffolding - Safety.

148. BS 6116:2012 - Scaffolding - Safety.

149. BS 6117:2012 - Scaffolding - Safety.

150. BS 6118:2012 - Scaffolding - Safety.

151. BS 6119:2012 - Scaffolding - Safety.

152. BS 6120:2012 - Scaffolding - Safety.

153. BS 6121:2012 - Scaffolding - Safety.

154. BS 6122:2012 - Scaffolding - Safety.

155. BS 6123:2012 - Scaffolding - Safety.

156. BS 6124:2012 - Scaffolding - Safety.

157. BS 6125:2012 - Scaffolding - Safety.

158. BS 6126:2012 - Scaffolding - Safety.

159. BS 6127:2012 - Scaffolding - Safety.

160. BS 6128:2012 - Scaffolding - Safety.

161. BS 6129:2012 - Scaffolding - Safety.

162. BS 6130:2012 - Scaffolding - Safety.

163. BS 6131:2012 - Scaffolding - Safety.

164. BS 6132:2012 - Scaffolding - Safety.

165. BS 6133:2012 - Scaffolding - Safety.

166. BS 6134:2012 - Scaffolding - Safety.

167. BS 6135:2012 - Scaffolding - Safety.

168. BS 6136:2012 - Scaffolding - Safety.

169. BS 6137:2012 - Scaffolding - Safety.

170. BS 6138:2012 - Scaffolding - Safety.

171. BS 6139:2012 - Scaffolding - Safety.

172. BS 6140:2012 - Scaffolding - Safety.

173. BS 6141:2012 - Scaffolding - Safety.

174. BS 6142:2012 - Scaffolding - Safety.

175. BS 6143:2012 - Scaffolding - Safety.

176. BS 6144:2012 - Scaffolding - Safety.

177. BS 6145:2012 - Scaffolding - Safety.

178. BS 6146:2012 - Scaffolding - Safety.

179. BS 6147:2012 - Scaffolding - Safety.

180. BS 6148:2012 - Scaffolding - Safety.

181. BS 6149:2012 - Scaffolding - Safety.

182. BS 6150:2012 - Scaffolding - Safety.

183. BS 6151:2012 - Scaffolding - Safety.

184. BS 6152:2012 - Scaffolding - Safety.

185. BS 6153:2012 - Scaffolding - Safety.

186. BS 6154:2012 - Scaffolding - Safety.

187. BS 6155:2012 - Scaffolding - Safety.

188. BS 6156:2012 - Scaffolding - Safety.

189. BS 6157:2012 - Scaffolding - Safety.

190. BS 6158:2012 - Scaffolding - Safety.

191. BS 6159:2012 - Scaffolding - Safety.

192. BS 6160:2012 - Scaffolding - Safety.

193. BS 6161:2012 - Scaffolding - Safety.

194. BS 6162:2012 - Scaffolding - Safety.

195. BS 6163:2012 - Scaffolding - Safety.

196. BS 6164:2012 - Scaffolding - Safety.

197. BS 6165:2012 - Scaffolding - Safety.

198. BS 6166:2012 - Scaffolding - Safety.

199. BS 6167:2012 - Scaffolding - Safety.

200. BS 6168:2012 - Scaffolding - Safety.

201. BS 6169:2012 - Scaffolding - Safety.

202. BS 6170:2012 - Scaffolding - Safety.

203. BS 6171:2012 - Scaffolding - Safety.

204. BS 6172:2012 - Scaffolding - Safety.

205. BS 6173:2012 - Scaffolding - Safety.

206. BS 6174:2012 - Scaffolding - Safety.

207. BS 6175:2012 - Scaffolding - Safety.

208. BS 6176:2012 - Scaffolding - Safety.

209. BS 6177:2012 - Scaffolding - Safety.

210. BS 6178:2012 - Scaffolding - Safety.

211. BS 6179:2012 - Scaffolding - Safety.

212. BS 6180:2012 - Scaffolding - Safety.

213. BS 6181:2012 - Scaffolding - Safety.

214. BS 6182:2012 - Scaffolding - Safety.

215. BS 6183:2012 - Scaffolding - Safety.

216. BS 6184:2012 - Scaffolding - Safety.

217. BS 6185:2012 - Scaffolding - Safety.

218. BS 6186:2012 - Scaffolding - Safety.

219. BS 6187:2012 - Scaffolding - Safety.

220. BS 6188:2012 - Scaffolding - Safety.

221. BS 6189:2012 - Scaffolding - Safety.

222. BS 6190:2012 - Scaffolding - Safety.

223. BS 6191:2012 - Scaffolding - Safety.

224. BS 6192:2012 - Scaffolding - Safety.

225. BS 6193:2012 - Scaffolding - Safety.

226. BS 6194:2012 - Scaffolding - Safety.

227. BS 6195:2012 - Scaffolding - Safety.

228. BS 6196:2012 - Scaffolding - Safety.

229. BS 6197:2012 - Scaffolding - Safety.

230. BS 6198:2012 - Scaffolding - Safety.

231. BS 6199:2012 - Scaffolding - Safety.

232. BS 6200:2012 - Scaffolding - Safety.

233. BS 6201:2012 - Scaffolding - Safety.

234. BS 6202:2012 - Scaffolding - Safety.

235. BS 6203:2012 - Scaffolding - Safety.

236. BS 6204:2012 - Scaffolding - Safety.

237. BS 6205:2012 - Scaffolding - Safety.

238. BS 6206:2012 - Scaffolding - Safety.

239. BS 6207:2012 - Scaffolding - Safety.

240. BS 6208:2012 - Scaffolding - Safety.

241. BS 6209:2012 - Scaffolding - Safety.

242. BS 6210:2012 - Scaffolding - Safety.

243. BS 6211:2012 - Scaffolding - Safety.

244. BS 6212:2012 - Scaffolding - Safety.

245. BS 6213:2012 - Scaffolding - Safety.

246. BS 6214:2012 - Scaffolding - Safety.

247. BS 6215:2012 - Scaffolding - Safety.

248. BS 6216:2012 - Scaffolding - Safety.

249. BS 6217:2012 - Scaffolding - Safety.

250. BS 6218:2012 - Scaffolding - Safety.

251. BS 6219:2012 - Scaffolding - Safety.

252. BS 6220:2012 - Scaffolding - Safety.

253. BS 6221:2012 - Scaffolding - Safety.

254. BS 6222:2012 - Scaffolding - Safety.

255. BS 6223:2012 - Scaffolding - Safety.

256. BS 6224:2012 - Scaffolding - Safety.

257. BS 6225:2012 - Scaffolding - Safety.

258. BS 6226:2012 - Scaffolding - Safety.

259. BS 6227:2012 - Scaffolding - Safety.

260. BS 6228:2012 - Scaffolding - Safety.

261. BS 6229:2012 - Scaffolding - Safety.

262. BS 6230:2012 - Scaffolding - Safety.

263. BS 6231:2012 - Scaffolding - Safety.

264. BS 6232:2012 - Scaffolding - Safety.

265. BS 6233:2012 - Scaffolding - Safety.

266. BS 6234:2012 - Scaffolding - Safety.

267. BS 6235:2012 - Scaffolding - Safety.

268. BS 6236:2012 - Scaffolding - Safety.

269. BS 6237:2012 - Scaffolding - Safety.

270. BS 6238:2012 - Scaffolding - Safety.

271. BS 6239:2012 - Scaffolding - Safety.

272. BS 6240:2012 - Scaffolding - Safety.

273. BS 6241:2012 - Scaffolding - Safety.

274. BS 6242:2012 - Scaffolding - Safety.

275. BS 6243:2012 - Scaffolding - Safety.

276. BS 6244:2012 - Scaffolding - Safety.

277. BS 6245:2012 - Scaffolding - Safety.

278. BS 6246:2012 - Scaffolding - Safety.

279. BS 6247:2012 - Scaffolding - Safety.

280. BS 6248:2012 - Scaffolding - Safety.

281. BS 6249:2012 - Scaffolding - Safety.

282. BS 6250:2012 - Scaffolding - Safety.

283. BS 6251:2012 - Scaffolding - Safety.

284. BS 6252:2012 - Scaffolding - Safety.

285. BS 6253:2012 - Scaffolding - Safety.

286. BS 6254:2012 - Scaffolding - Safety.

287. BS 6255:2012 - Scaffolding - Safety.

288. BS 6256:2012 - Scaffolding - Safety.

289. BS 6257:2012 - Scaffolding - Safety.

290. BS 6258:2012 - Scaffolding - Safety.

291. BS 6259:2012 - Scaffolding - Safety.

292. BS 6260:2012 - Scaffolding - Safety.

293. BS 6261:2012 - Scaffolding - Safety.

294. BS 6262:2012 - Scaffolding - Safety.

295. BS 6263:2012 - Scaffolding - Safety.

296. BS 6264:2012 - Scaffolding - Safety.

297. BS 6265:2012 - Scaffolding - Safety.

298. BS 6266:2012 - Scaffolding - Safety.

299. BS 6267:2012 - Scaffolding - Safety.

300. BS 6268:2012 - Scaffolding - Safety.

301. BS 6269:2012 - Scaffolding - Safety.

302. BS 6270:2012 - Scaffolding - Safety.

303. BS 6271:2012 - Scaffolding - Safety.

304. BS 6272:2012 - Scaffolding - Safety.

305. BS 6273:2012 - Scaffolding - Safety.

306. BS 6274:2012 - Scaffolding - Safety.

307. BS 6275:2012 - Scaffolding - Safety.

308. BS 6276:2012 - Scaffolding - Safety.

309. BS 6277:2012 - Scaffolding - Safety.

310. BS 6278:2012 - Scaffolding - Safety.

311. BS 6279:2012 - Scaffolding - Safety.

312. BS 6280:2012 - Scaffolding - Safety.

313. BS 6281:2012 - Scaffolding - Safety.

314. BS 6282:2012 - Scaffolding - Safety.

315. BS 6283:2012 - Scaffolding - Safety.

316. BS 6284:2012 - Scaffolding - Safety.

317. BS 6285:2012 - Scaffolding - Safety.

318. BS 6286:2012 - Scaffolding - Safety.

319. BS 6287:2012 - Scaffolding - Safety.

320. BS 6288:2012 - Scaffolding - Safety.

321. BS 6289:2012 - Scaffolding - Safety.

322. BS 6290:2012 - Scaffolding - Safety.

323. BS 6291:2012 - Scaffolding - Safety.

324. BS 6292:2012 - Scaffolding - Safety.

325. BS 6293:2012 - Scaffolding - Safety.

326. BS 6294:2012 - Scaffolding - Safety.

327. BS 6295:2012 - Scaffolding - Safety.

328. BS 6296:2012 - Scaffolding - Safety.

329. BS 6297:2012 - Scaffolding - Safety.

330. BS 6298:2012 - Scaffolding - Safety.

331. BS 6299:2012 - Scaffolding - Safety.

332. BS 6300:2012 - Scaffolding - Safety.

333. BS 6301:2012 - Scaffolding - Safety.

334. BS 6302:2012 - Scaffolding - Safety.

335. BS 6303:2012 - Scaffolding - Safety.

336. BS 6304:2012 - Scaffolding - Safety.

337. BS 6305:2012 - Scaffolding - Safety.

338. BS 6306:2012 - Scaffolding - Safety.

3